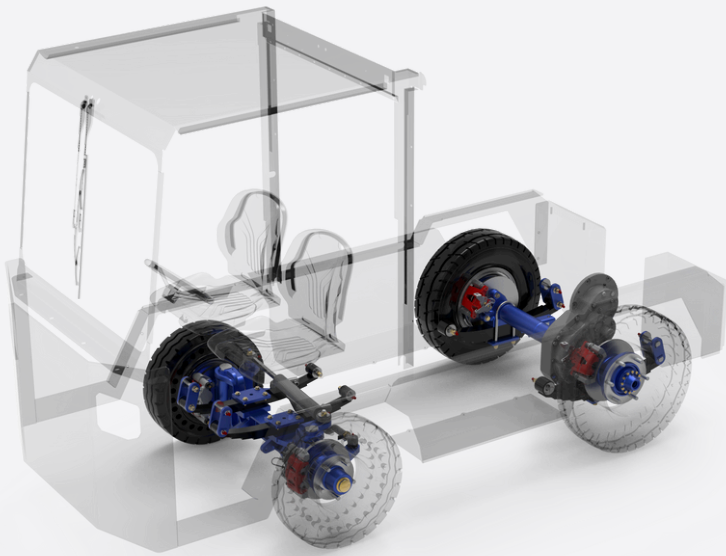




PAILLARD, your partner for the equipment of your vehicles and your industrials trailers



**INDUSTRIAL
CATALOGUE**





OUR STRENGTHS



Designing

By your side during the development phase, our Engineering Department designs the best custom rolling solution for you.



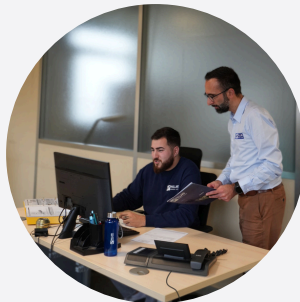
Quality

Trusting us means choosing a company certified ISO 9001, committed to a continuous improvement approach.



Production

Did you know that PAILLARD manufactures and assembles your axles in France according to Lean Manufacturing principles, ensuring process control and productivity?



After-sales service

Purchasing a PAILLARD axle ensures the availability of spare parts for the entire lifespan of your equipment, with worldwide shipping in 48 hours.



Logistics

To serve you promptly and to avoid any production downtime, we have opted for an 'Europe' supply chain and established a significant stock of components.

PAILLARD, MANUFACTURER OF STANDARD AND BESPOKE AXLES SINCE 1898

A company on a human scale, constantly seeking new solutions and high performance: PAILLARD has been designing, in partnership with its customers, and supplying suspension systems for nearly 125 years.



YOU DESIGN THE VEHICLE **PAILLARD MAKES SURE IT RUNS**

Manufacturer of axles for over a century, we have developed our own range of axles for industrial applications.

Our Engineering Department will leverage its expertise to design your custom ready-to-install axle. By using standard components and semi-finished products, we can offer you a customized and cost-effective solution, including for small and medium production runs.

This catalogue only provides an overview of PAILLARD axles in various fields of applications (airport, construction, handling, special machinery, recreational and urban vehicles, ...)

From single units to series, from 500kg to 30,000kg payload per axle, from sub-assemblies to the most sophisticated complete axles, we are always ready to put our know-how at your service to design and manufacture the axle that suits your needs.

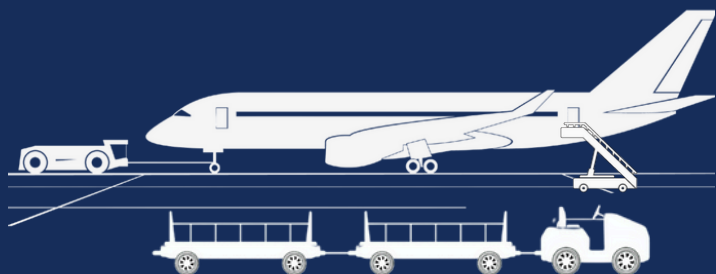
They trust us...



Feel free to **contact us!**

OUR APPLICATION FIELDS

AIRPORT



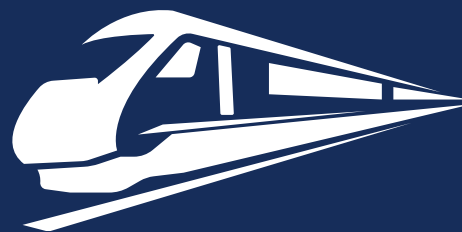
AGRICULTURAL



CONSTRUCTION



RAILWAY



LEISURE



HANDLING INDUSTRY



DEFENCE



URBAN VEHICLES



CONTENTS

AIRPORT



TOW TRACTOR

1



TOWBARLESS TRACTOR

2



CARGO LOADER

3



LAVATORY TRACTOR

4



PASSENGERS STAIRS

5



BELT LOADER

6



HYDRAULIC UNIT, GENERATOR SET, AIR CONDITIONING

7



DOLLY

8



LINEN HARVESTER

9



SPECIAL MACHINE FOR AGRICULTURE

10



TELESCOPIC PLATFORM

11



TUNNELING VEHICLE

12



RAIL-ROAD VEHICLE

14

AGRICULTURE

CONSTRUCTION

RAILWAY

CONTENTS

LEISURE



TOURISTIC TRAIN

15



PARADE FLOAT

16



AMUSEMENT PARK TRAIN

17



4 WHEELS TRACTOR

18



3 WHEELS TRACTOR

20



HEAVY DUTY TRAILER

21



STANDARD TRAILER

23



MILITARY VEHICLE

24



MILITARY TRAILER

25



SPECIAL MILITARY EQUIPMENT

26



URBAN SWEEPER

27



ELECTRICAL VEHICLE

28



ROAD MAINTENANCE VEHICLE

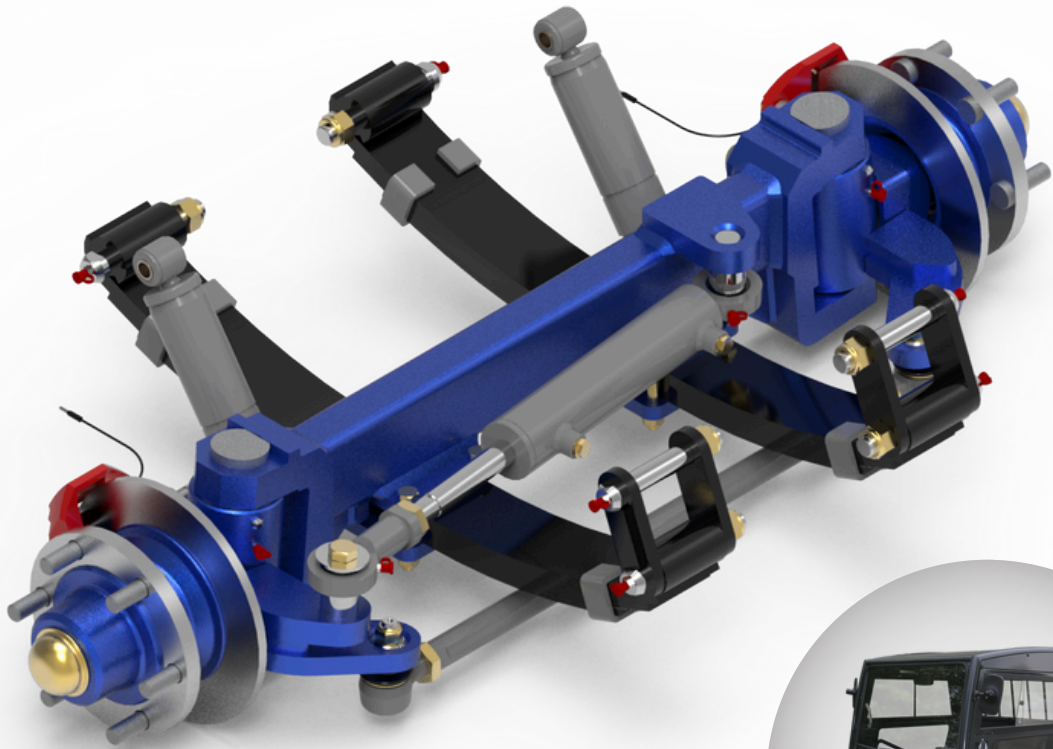
29

HANDLING INDUSTRY

DEFENCE

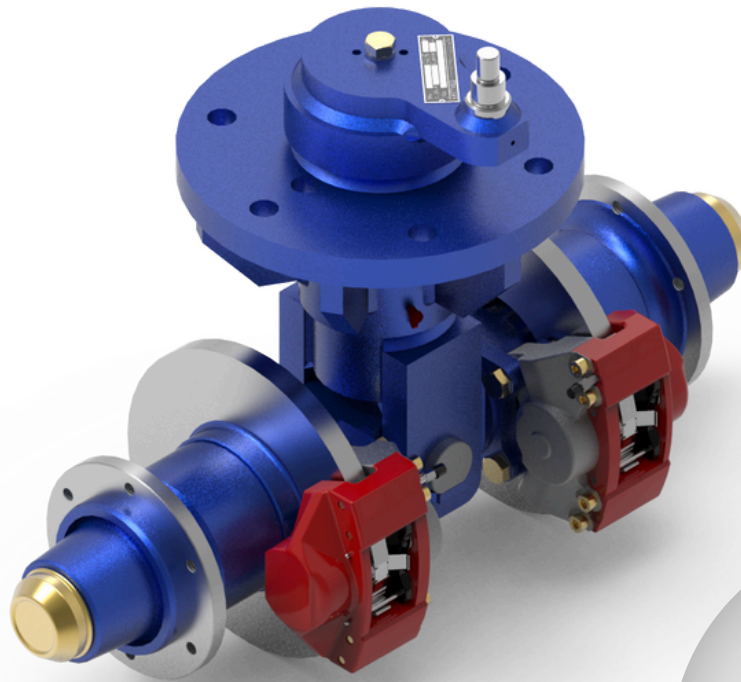
URBAN VEHICLES

TOW TRACTOR



| | |
|--------------------|---------------------------|
| Application | Tow Tractor |
| Type | Steering axle |
| Max payload | 3 000 kg |
| Braking | Disc brake |
| Suspension | Leave springs |
| Steering | Hydraulic cylinder |

TOWBARLESS TRACTOR



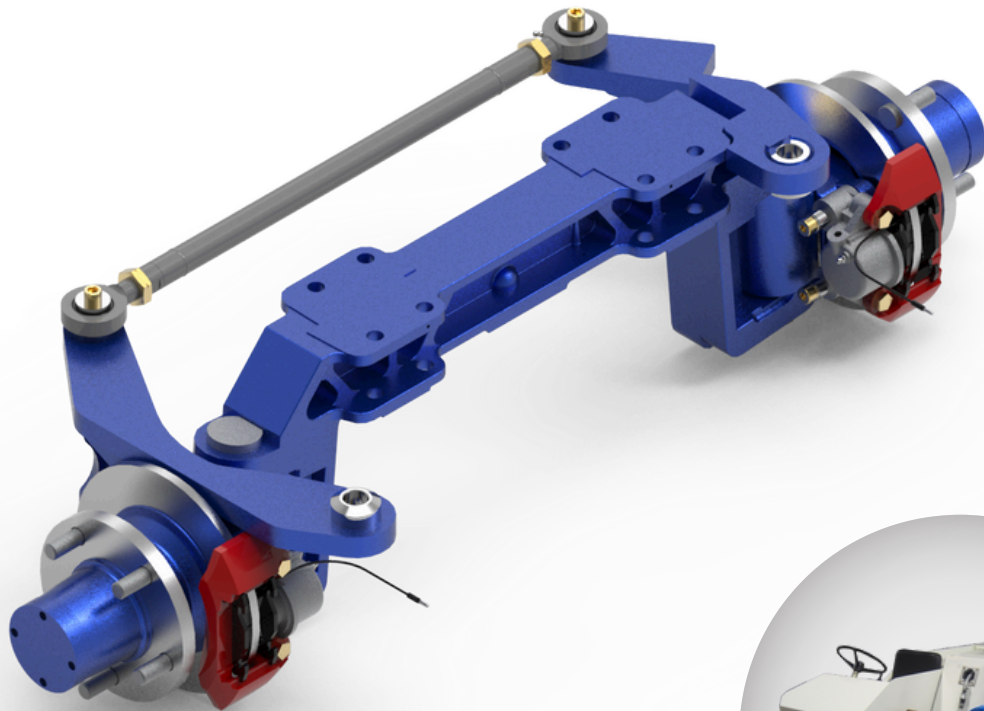
| | |
|--------------------|---------------------------|
| Application | Towbarless Tractor |
| Type | Steering axle |
| Max payload | 5 000 kg |
| Braking | Disc brake |
| Suspension | No |
| Steering | Hydraulic cylinder |

CARGO LOADER



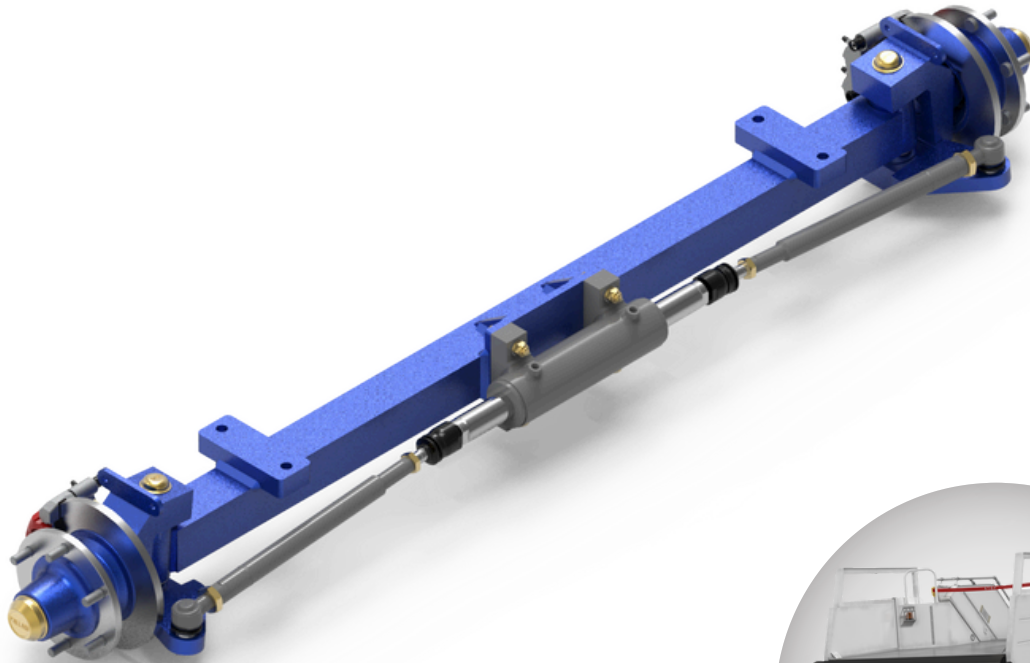
| | |
|--------------------|---------------------------|
| Application | Cargo Loader |
| Type | Steering axle |
| Max payload | 14 000 kg |
| Braking | Disc brake |
| Suspension | No |
| Steering | Hydraulic cylinder |

LAVATORY TRACTOR



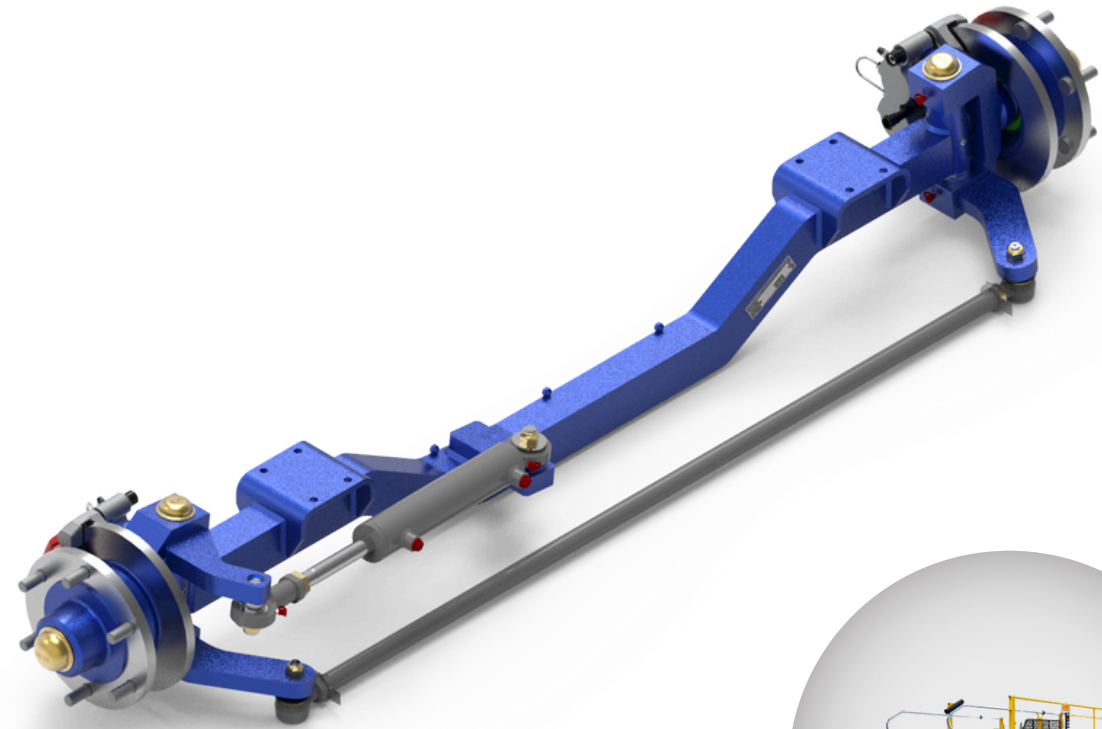
| | |
|--------------------|---------------------------|
| Application | Lavatory Tractor |
| Type | Steering axle |
| Max payload | 2 000 kg |
| Brake | Disc brake |
| Suspension | Leave springs |
| Steering | Hydraulic cylinder |

PASSENGERS STAIRS



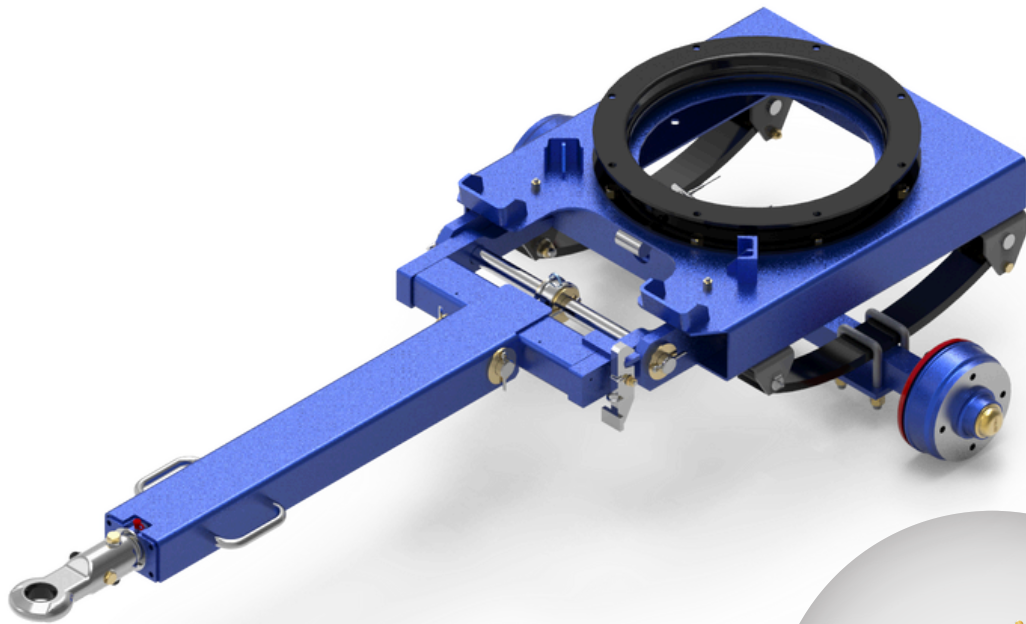
| | |
|--------------------|---------------------------|
| Application | Passengers Stairs |
| Type | Steering axle |
| Max payload | 6 000 kg |
| Braking | Disc brake |
| Suspension | Leave springs |
| Steering | Hydraulic cylinder |

BELT LOADER



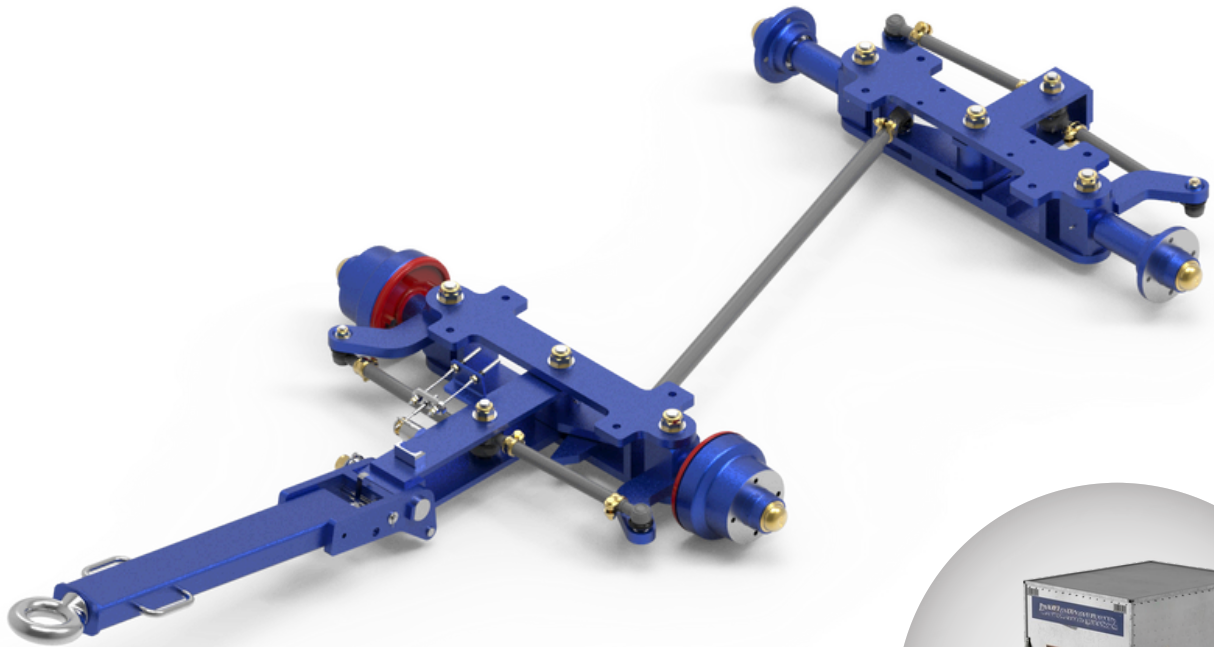
| | |
|--------------------|---------------------------|
| Application | Belt Loader |
| Type | Steering axle |
| Max payload | 2 500 kg |
| Braking | Disc brake |
| Suspension | Leave springs |
| Steering | Hydraulic cylinder |

GROUND POWER UNIT



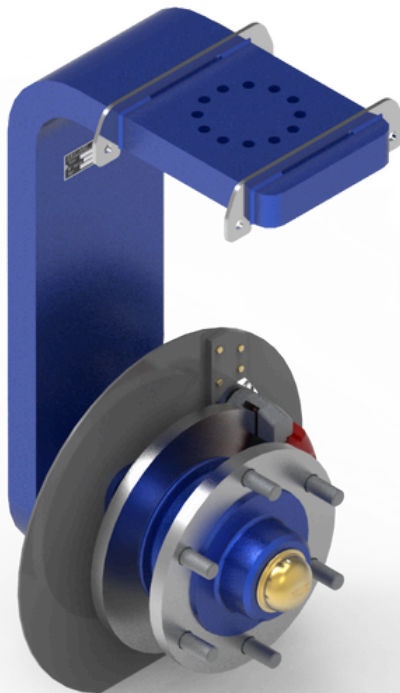
| | |
|--------------------|-------------------------------|
| Application | Ground Power Unit |
| Type | Steering front axle |
| Max payload | 3 500 kg |
| Braking | Parking drum brake |
| Suspension | Leave springs |
| Steering | Ball bearing turntable |

DOLLY



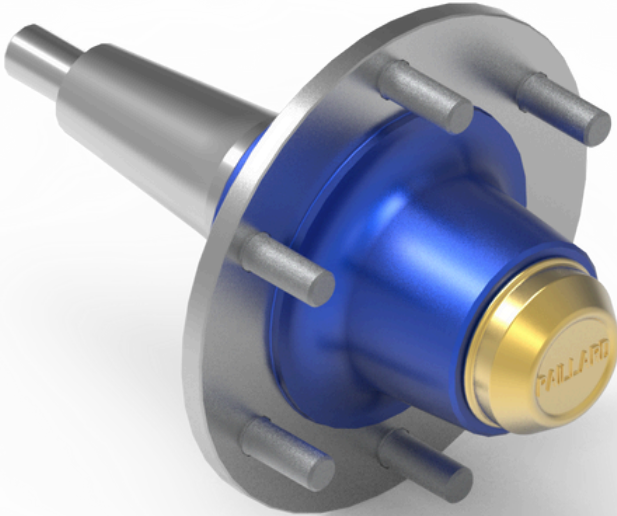
| | |
|--------------------|---------------------------|
| Application | Dolly |
| Type | Steering axles |
| Max payload | 6 000 kg per axle |
| Braking | Parking drum brake |
| Suspension | Leaf springs |
| Steering | Mechanical |

LINEN HARVESTER



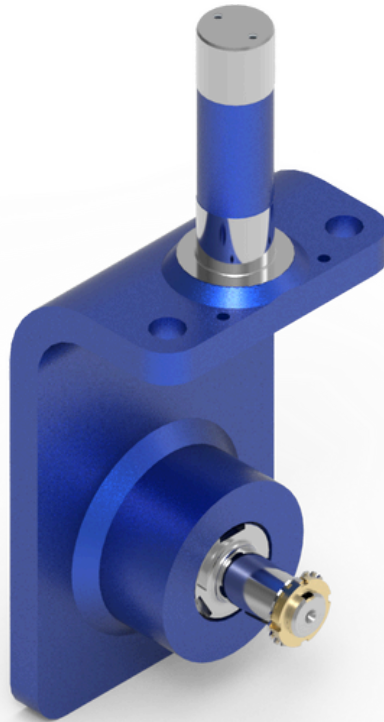
| | |
|--------------------|----------------------------------|
| Application | Linen Harvester |
| Type | Wheel pivot |
| Max payload | 1 000 kg |
| Braking | Disc brake |
| Suspension | No |
| Steering | Rotary hydraulic cylinder |

SPECIAL MACHINE FOR AGRICULTURE



| | |
|--------------------|--|
| Application | Special Machine For Agriculture |
| Type | Equipped spindle |
| Max payload | 3 000 kg |
| Braking | No |
| Suspension | No |
| Steering | No |

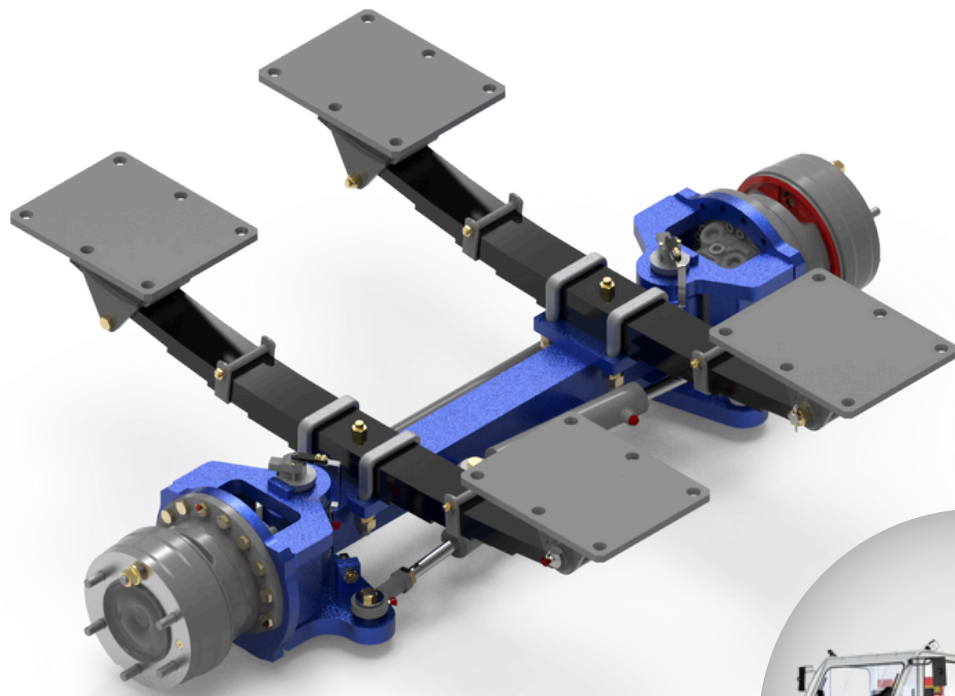
TELESCOPIC PLATFORM



| | |
|--------------------|----------------------------|
| Application | Telescopic Platform |
| Type | Wheel pivot |
| Max payload | 1 000 kg |
| Braking | No |
| Suspension | No |
| Steering | Mechanical |

TUNNELING VEHICLE

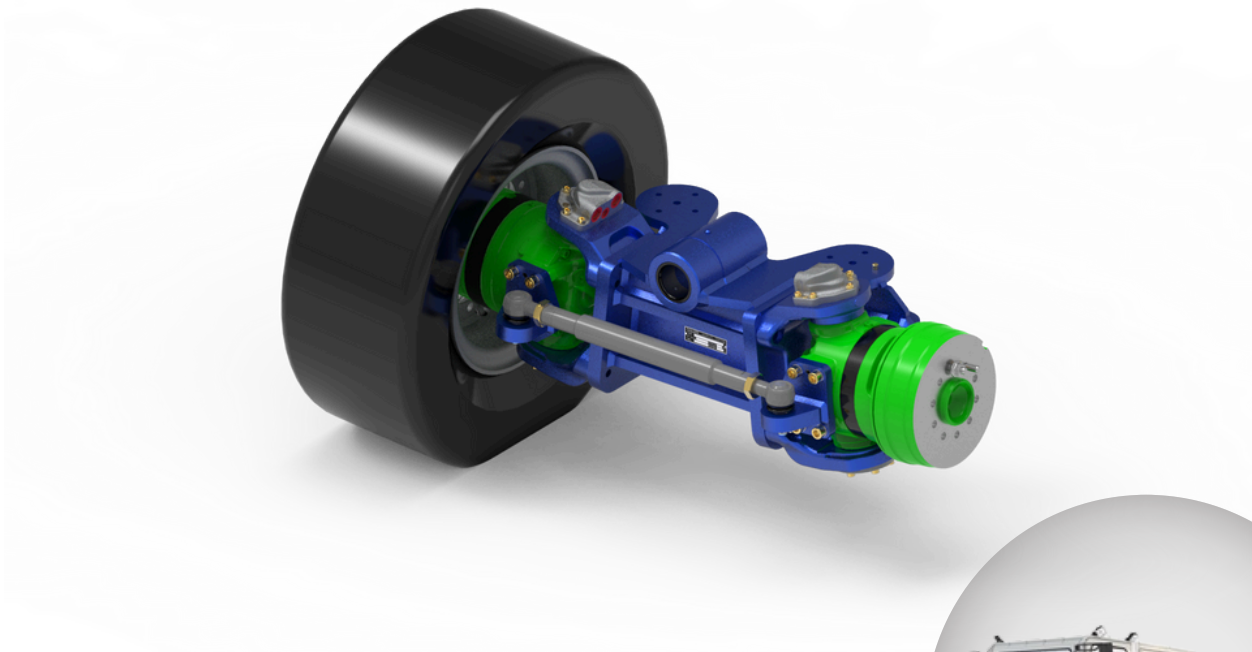
HYDRAULIC OR ELECTRIC WHEEL MOTOR



| | |
|--------------------|----------------------------|
| Application | Tunneling Vehicle |
| Type | Steering axle |
| Max payload | 5 000 kg |
| Braking | Motor or Drum brake |
| Suspension | Leave springs |
| Steering | Hydraulic cylinder |
| Motor | Poclain type MS |

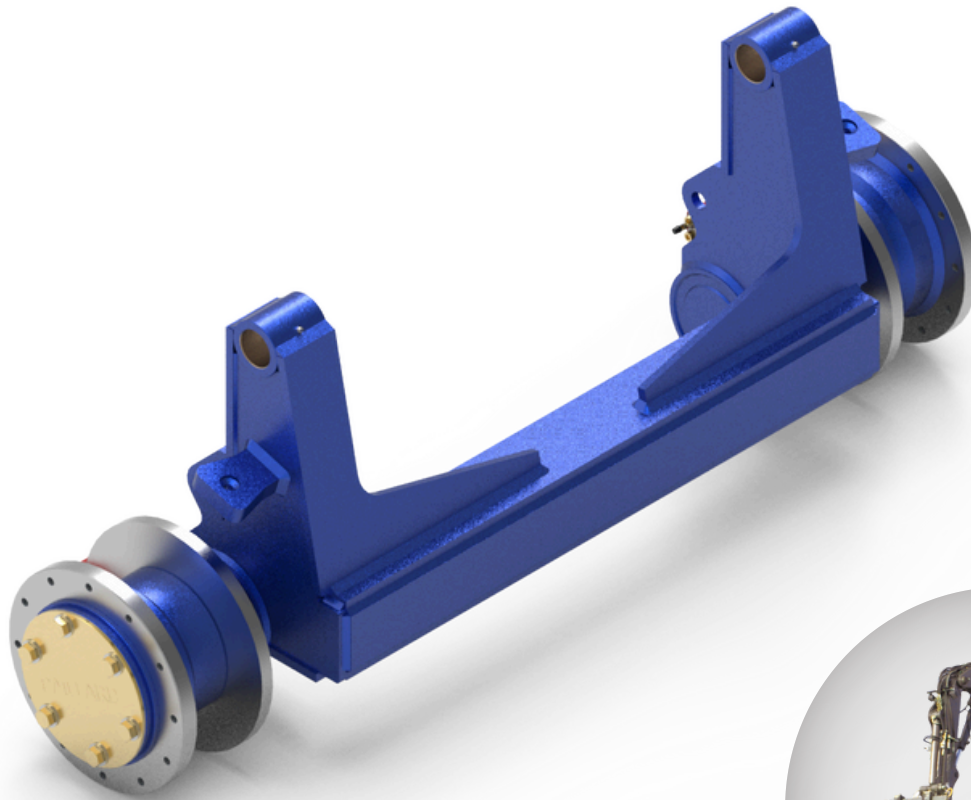
TUNNELING VEHICLE

HYDRAULIC OR ELECTRIC WHEEL MOTOR



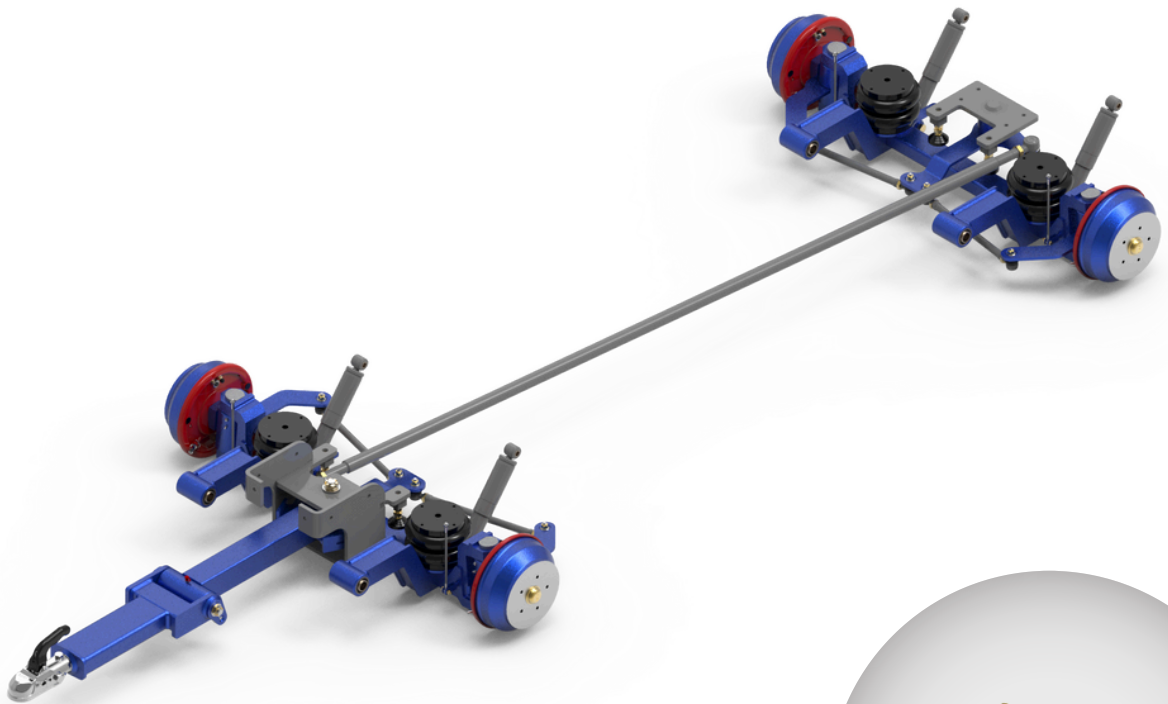
| | |
|--------------------|----------------------------|
| Application | Tunneling Vehicle |
| Type | Steering axle |
| Max payload | 5 000 kg |
| Brake | Motor or Drum brake |
| Suspension | Central oscillation |
| Steering | Hydraulic cylinder |
| Motor | Poclairn type MG |

RAIL-ROAD VEHICLE



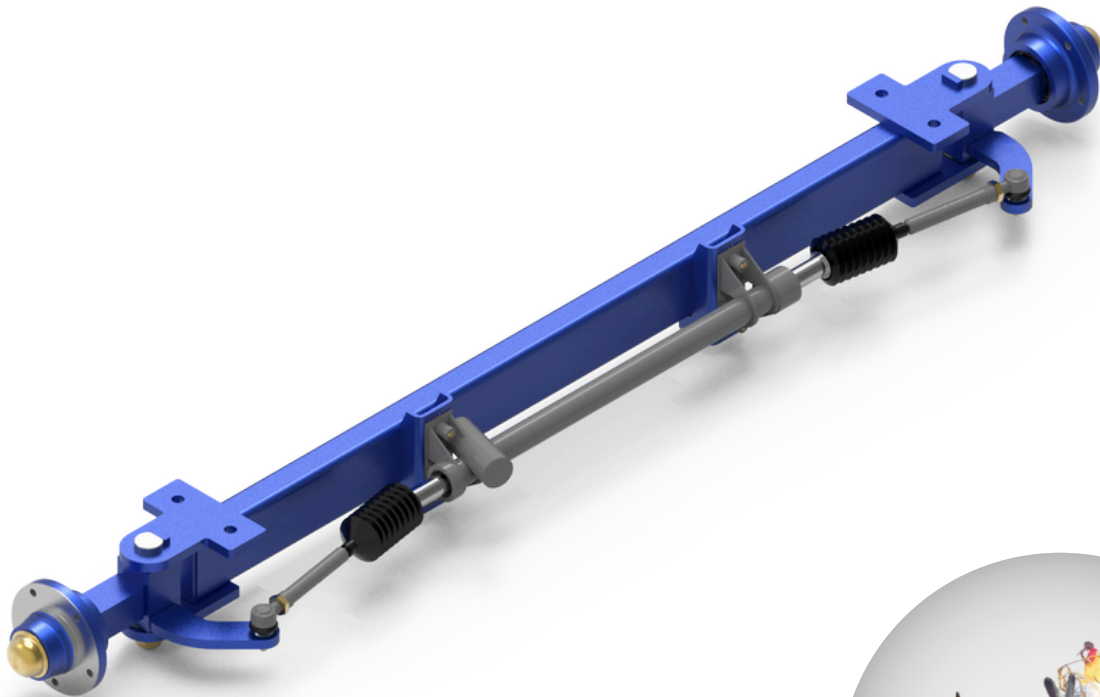
| | |
|--------------------|---------------------------|
| Application | Rail-Road Vehicle |
| Type | Straight axle |
| Max payload | 6 000 kg |
| Brake | Service disc brake |
| Suspension | No |
| Steering | No |

TOURISTIC TRAIN



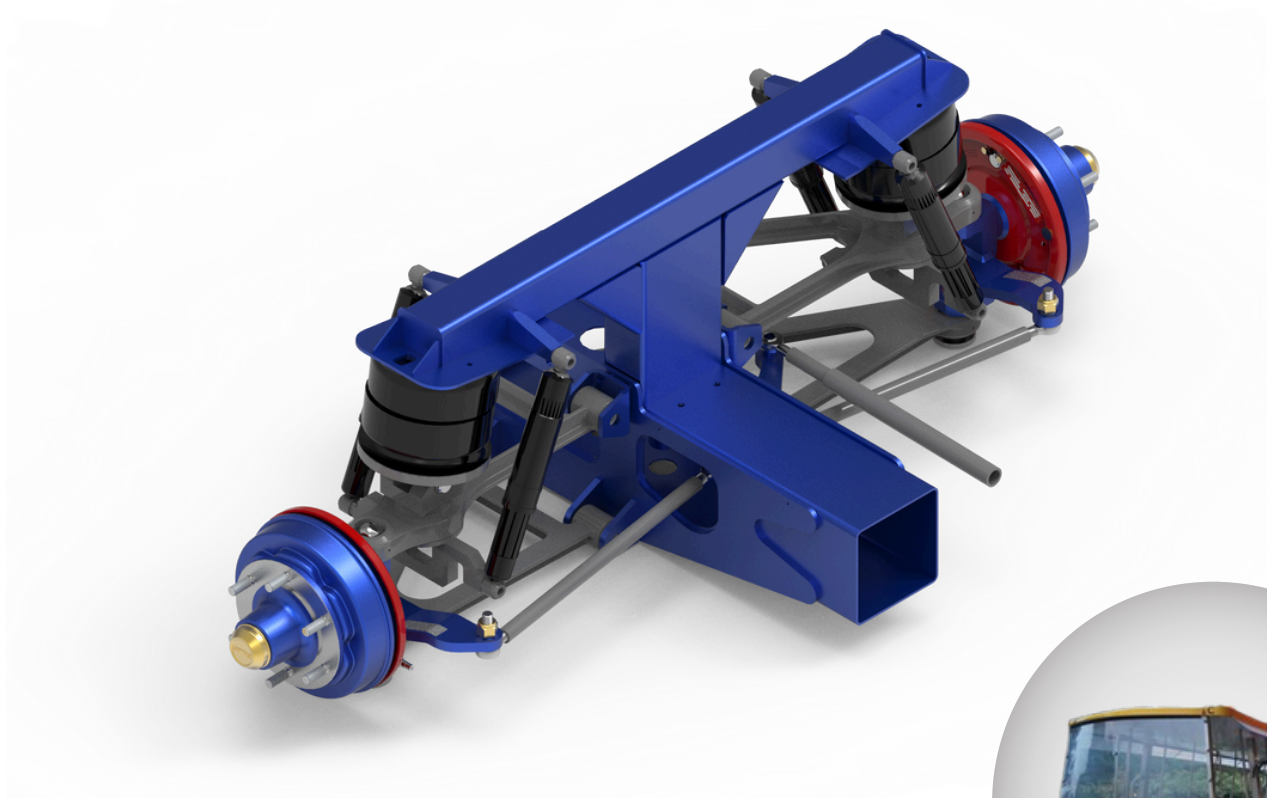
| | |
|--------------------|---------------------------|
| Application | Touristic Train |
| Type | Steering axles |
| Max payload | 2 000 kg per axle |
| Brake | Disc or Drum brake |
| Suspension | Pneumatic |
| Steering | Mechanical |

PARADE FLOAT



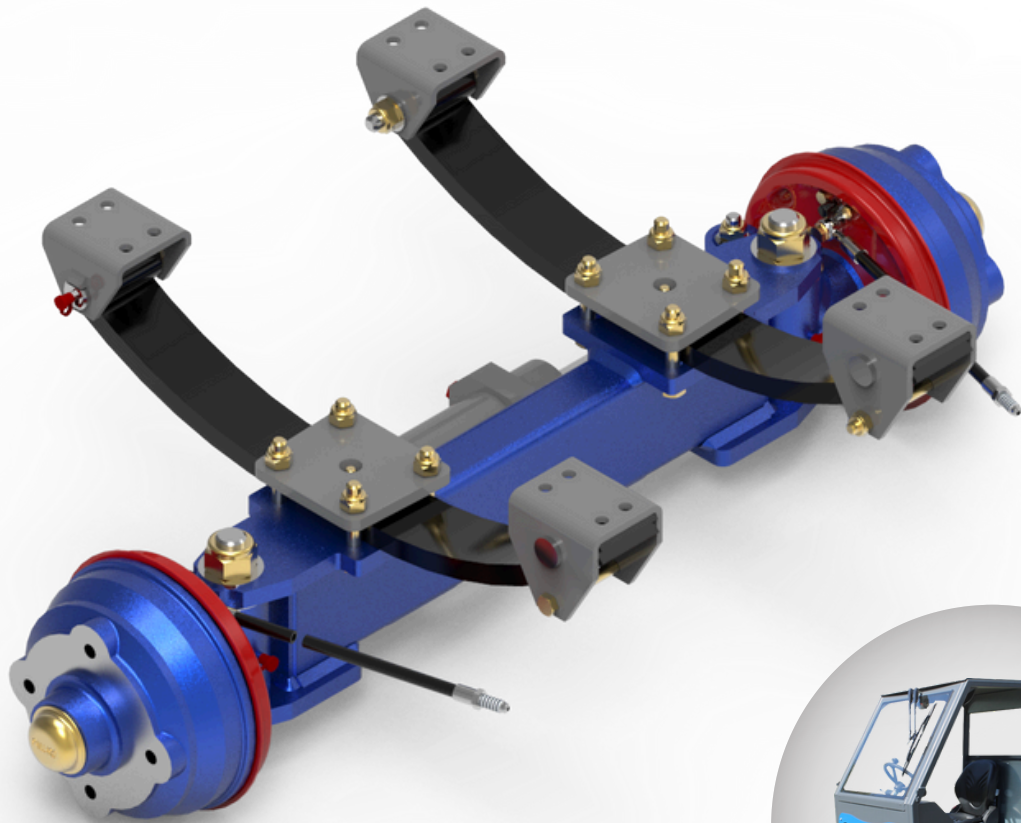
| | |
|--------------------|-----------------------------------|
| Application | Parade Float |
| Type | Steering axle |
| Max payload | 1 500 kg |
| Brake | No |
| Suspension | No |
| Steering | Mechanical rack and pinion |

AMUSEMENT PARK TRAIN



| | |
|--------------------|-------------------------------|
| Application | Amusement Park Train |
| Type | Steering axle |
| Max payload | 4 000 kg |
| Brake | Drum brake |
| Suspension | Triangle and pneumatic |
| Steering | Mechanical |

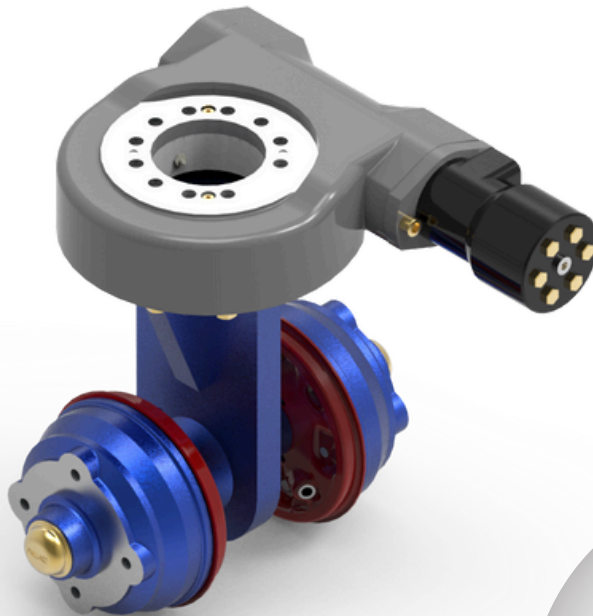
4 WHEELS TRACTOR



| | |
|--------------------|--|
| Application | 4 Wheels Tractor |
| Type | Steering axle |
| Max payload | 1 200 kg |
| Brake | Drum brake |
| Suspension | Leaf springs and shock absorber |
| Steering | Hydraulic cylinder |

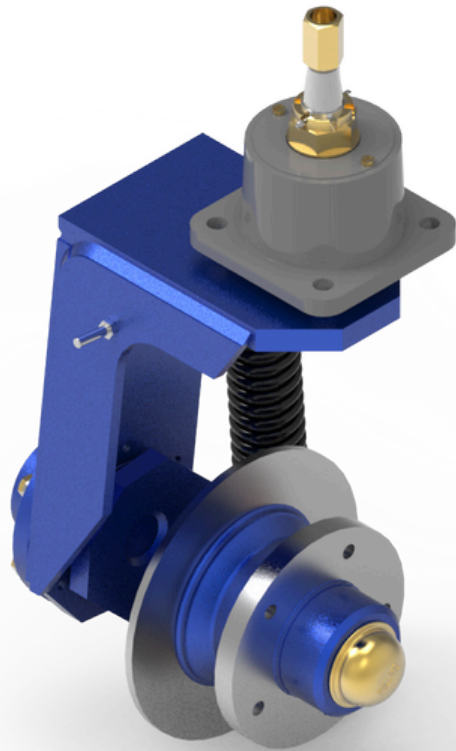
4 WHEELS TRACTOR

HYDRAULIC OR ELECTRIC POWERED STEERING



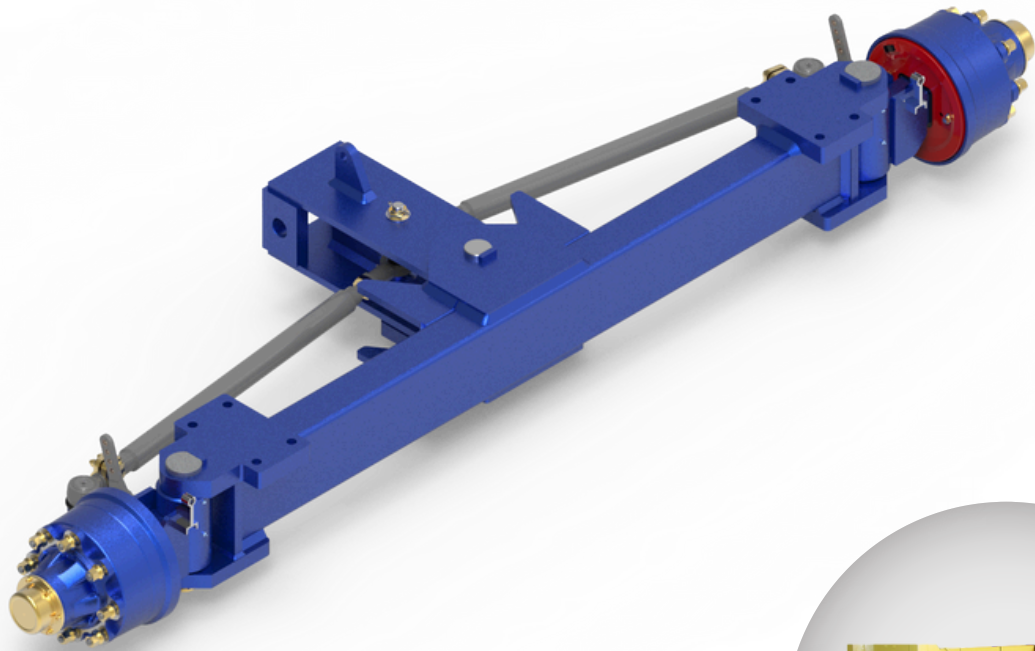
| | |
|--------------------|------------------------------|
| Application | 4 Wheels Tractor |
| Type | Steering axle |
| Max payload | 1 500 kg |
| Braking | Disc or Drum brake |
| Suspension | No |
| Steering | Hydraulic or Electric |

3 WHEELS TRACTOR



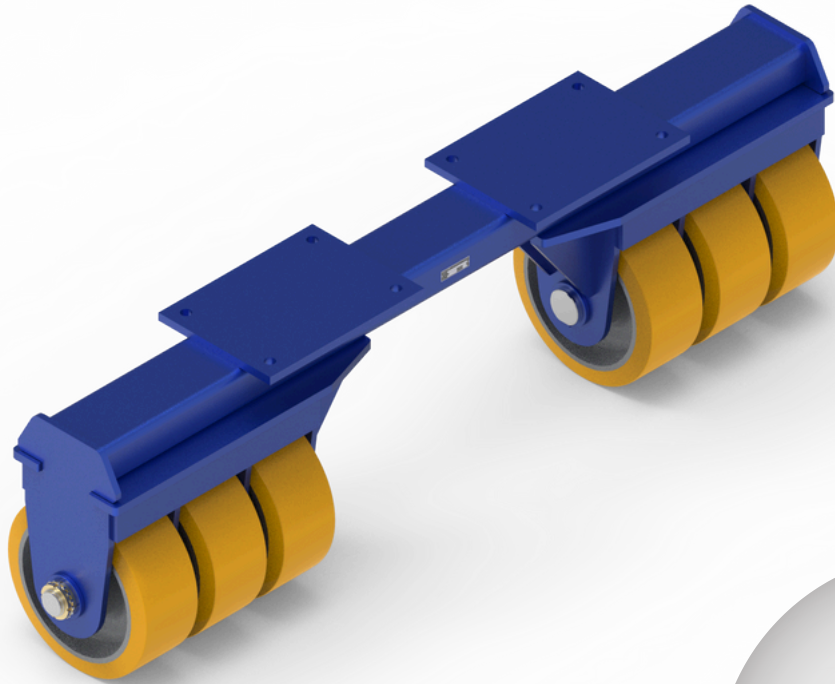
| | |
|--------------------|---------------------------|
| Application | 3 Wheels Tractor |
| Type | Steering pivot |
| Max payload | 1 000 kg |
| Braking | Disc or Drum brake |
| Suspension | Shock absorber |
| Steering | Mechanical |

HEAVY DUTY TRAILER



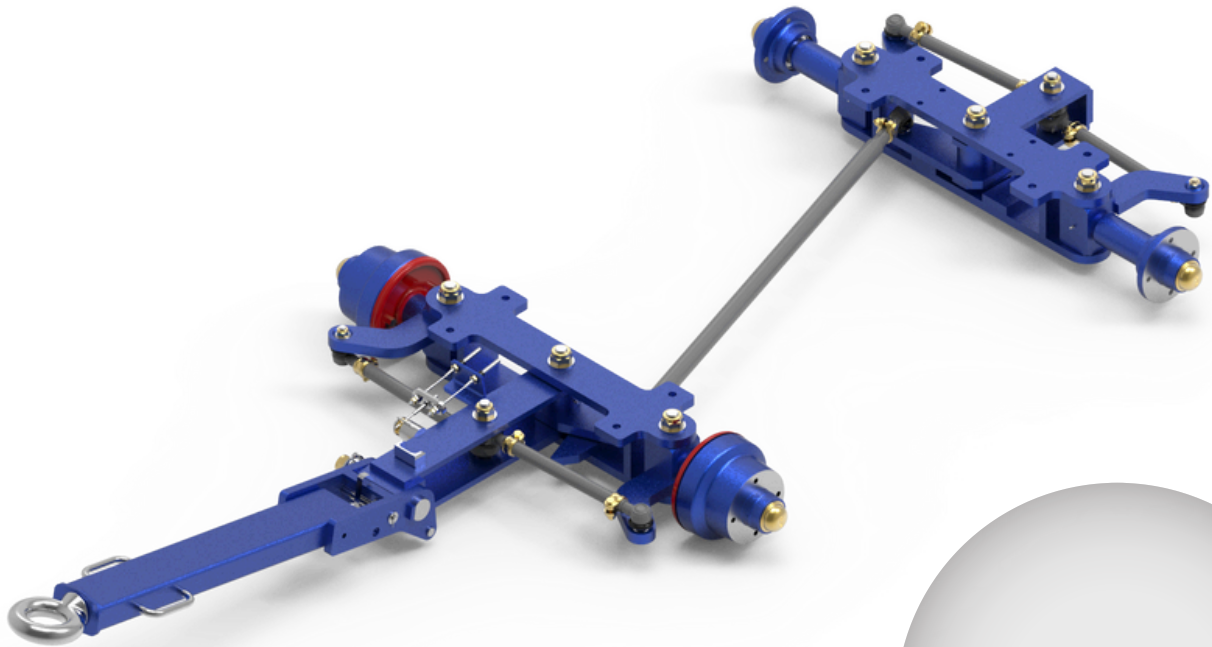
| | |
|--------------------|---------------------------|
| Application | Heavy Duty Trailer |
| Type | Steering axle |
| Max payload | 17 000 kg |
| Braking | Parking drum brake |
| Suspension | No |
| Steering | Mechanical |

HEAVY DUTY TRAILER



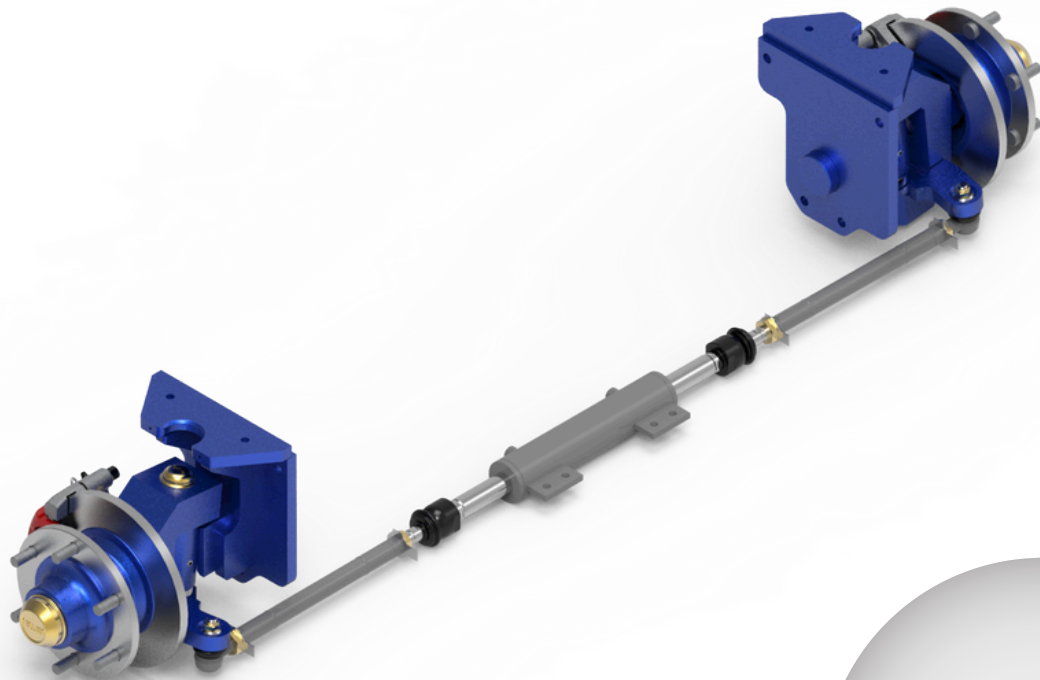
| | |
|--------------------|---------------------------|
| Application | Heavy Duty Trailer |
| Type | Straight axle |
| Max payload | 24 000 kg |
| Braking | No |
| Suspension | No |
| Steering | No |

STANDARD TRAILER



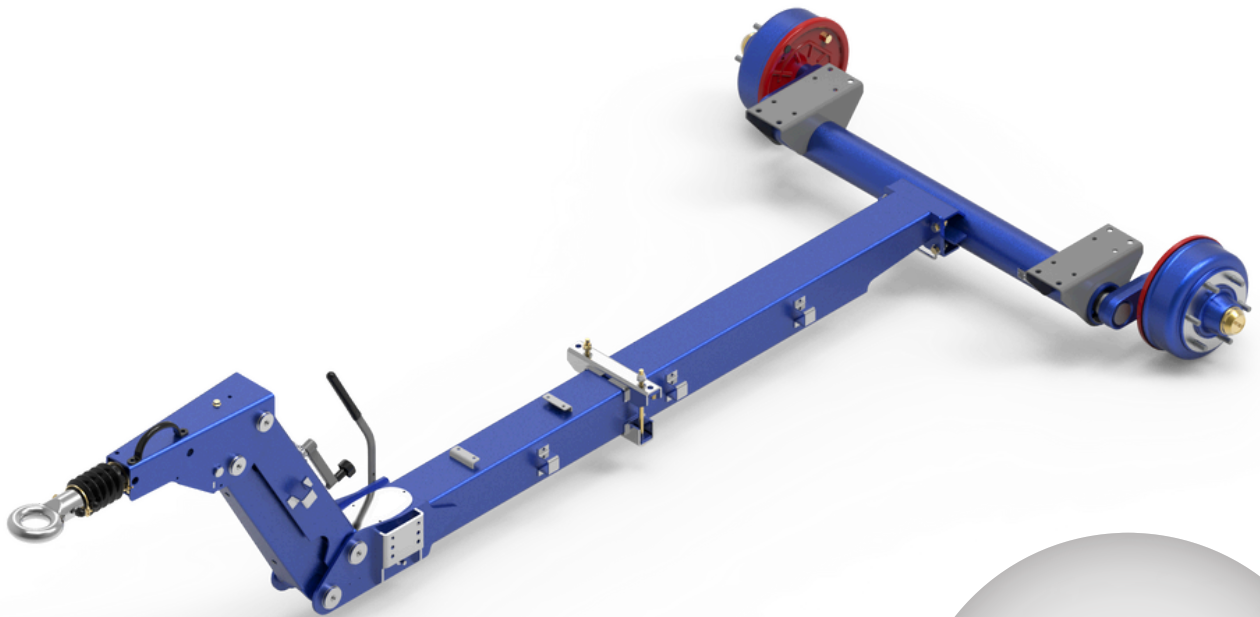
| | |
|--------------------|---------------------------|
| Application | Standard Trailer |
| Type | Steering axles |
| Max payload | 6 000 kg per axle |
| Braking | Parking drum brake |
| Suspension | Leave springs |
| Steering | Mechanical |

MILITARY VEHICLE



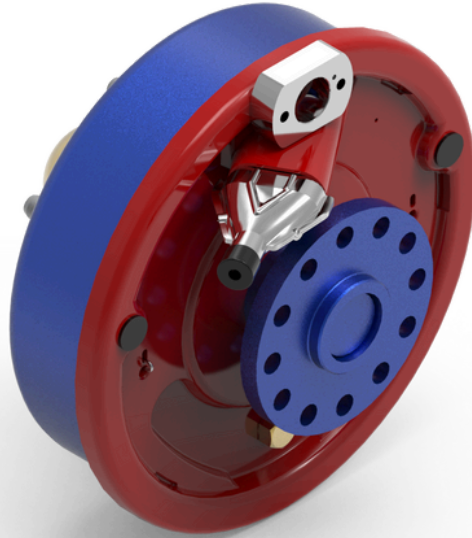
| | |
|--------------------|---------------------------|
| Application | Military Vehicle |
| Type | Steering axle |
| Max payload | 4 000 kg |
| Braking | Disc brake |
| Suspension | No |
| Steering | Hydraulic cylinder |

MILITARY TRAILER



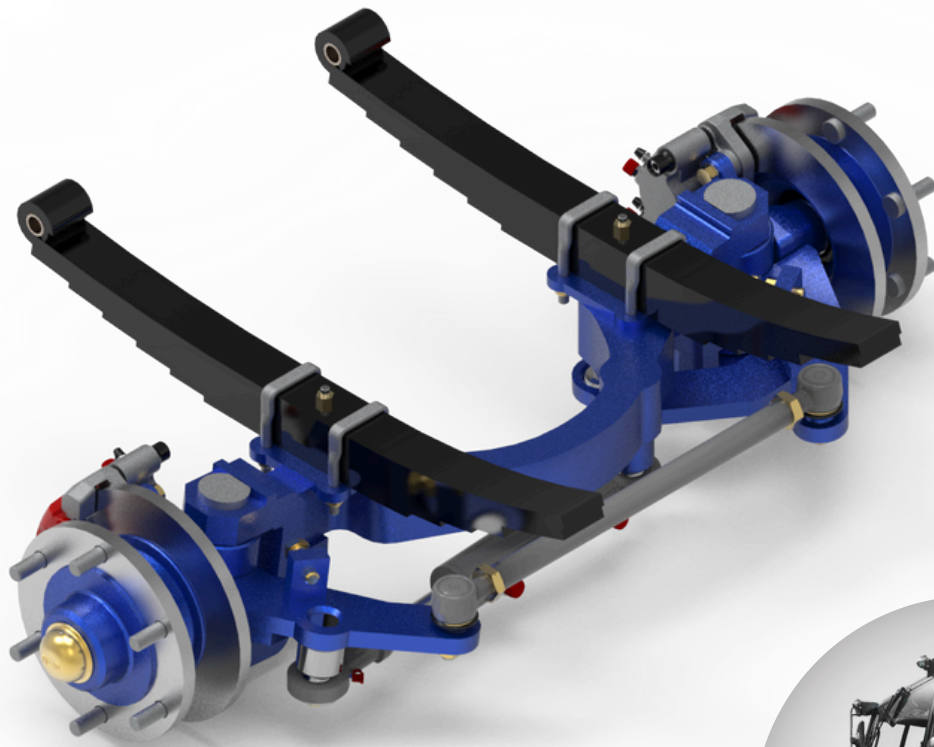
| | |
|-------------|------------------|
| Application | Military Trailer |
| Type | Straight axle |
| Max payload | 3 500 kg |
| Braking | Drum brake |
| Suspension | Rubber |
| Steering | No |

SPECIAL MILITARY EQUIPMENT



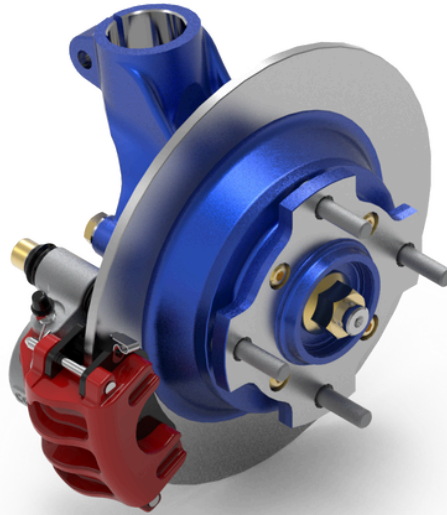
| | |
|-------------|----------------------------|
| Application | Special Military Equipment |
| Type | Half axle |
| Max payload | 1 000 kg |
| Braking | Drum brake |
| Suspension | No |
| Steering | No |

URBAN SWEEPER



| | |
|-------------|--------------------|
| Application | Urban Sweeper |
| Type | Steering axle |
| Max payload | 3 000 kg |
| Braking | Disc brake |
| Suspension | Leave springs |
| Steering | Hydraulic cylinder |

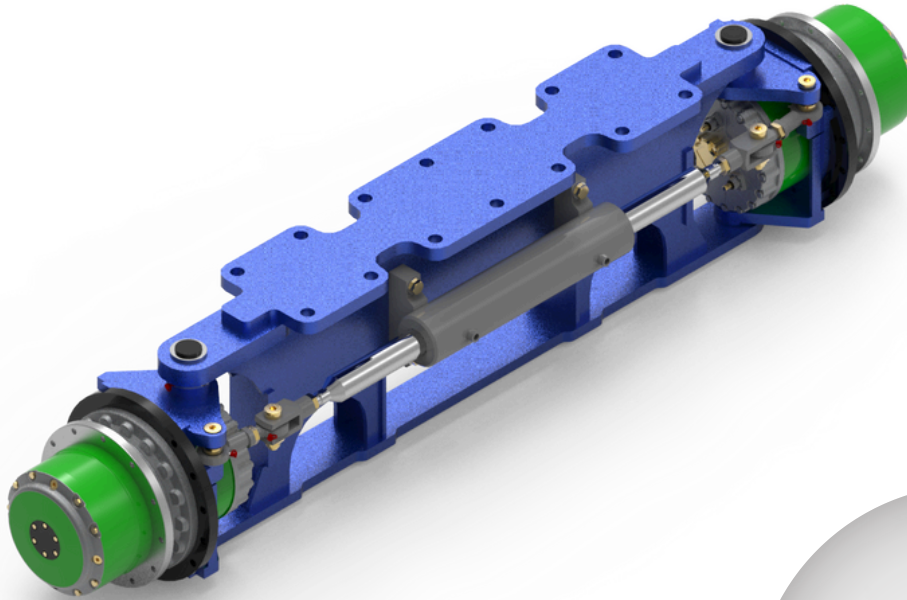
ELECTRICAL VEHICLE



| | |
|-------------|--------------------|
| Application | Electrical Vehicle |
| Type | Wheel pivot |
| Max payload | 1 000 kg |
| Brake | Disc or Drum brake |
| Suspension | Schock absorber |
| Steering | Rack and pinion |

ROAD MAINTENANCE VEHICLE

HYDRAULIC OR ELECTRIC WHEEL MOTOR



| | |
|-------------|----------------------------|
| Application | Road Maintenance Vehicle |
| Type | Steering axle |
| Max payload | 1 000 kg |
| Brake | Engine, Disc or Drum brake |
| Suspension | Leaf springs |
| Steering | Hydraulic cylinder |

INFORMATION AND CONTACT



**Standard : Monday to Thursday
from 9AM to 12PM and from 2PM to 5PM
and on Friday from 9AM to 12PM**



+33 (0)1 64 10 48 80



commercial@paillard.fr



**1 Rue Foch
77000 Vaux-le-Pénil
FRANCE**



Visit our web site www.paillard.fr

