

COMPANY (CUSTOMER)

PROJECT (Art. Customer) _____

Contact Name _____

Phone _____

Fax _____

E-mail _____

Date _____

COMPLETE TRAILER

Gross vehicle weight rating [kg] _____

Unloaded total weight for trailer [kg] _____

Loaded speed [km/h] _____

Unloaded speed [km/h] _____

Annual quantity [unit] _____

Production start date: _____

REAR AXLE

Type of axle Straight Steering (*)

(*) with transmission between front and rear axle yes no

Gross axle weight rating [kg] _____

Unloaded weight [kg] _____

Distance between flange [mm] = D _____

Distance between fixings [mm] = B _____

Distance between fixings [mm] = B _____

Negative offset

Zero offset

Positive offset

$d = -$ _____

$d = +$ _____

Wheelbase [mm] = E = _____

FRONT AXLE

Gross axle weight [kg] _____

Unloaded weight [kg] _____

Distance between flange [mm] = D _____

Distance between fixings [mm] = B _____

Distance between fixings [mm] = B _____

Type of plate 2 holes 4 holes

Diameter of holes on plate [mm] _____

Horizontal distance between holes [mm] = eh _____

Vertical distance between holes [mm] = ev _____

Width of plate [mm] = lg _____

Length of plate [mm] = hp _____

Eye type Ø76x42 NATO Ø50x30

DIN 40

Ball joint Ø50

other _____

Drawbar to be moved from front to rear axle Oui Non

Blocable support of drawbar Oui Non

Length of drawbar [mm] = LgT _____

Steering angle for drawbar [°] = α

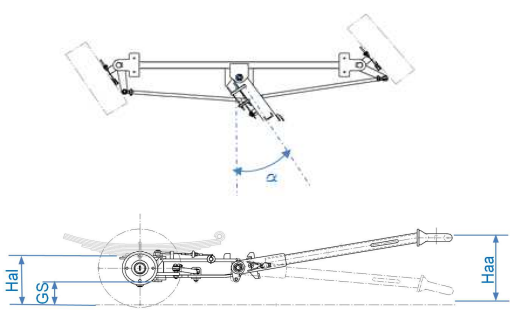
Height of hanging point [mm] = Haa

Suspension Yes No

Type of suspension Leaf spring Other

Height of leaf fixing [mm] = Hal

Ground clearance [mm] = GS



WHEEL

Complet wheel: yes No

if yes, specify: Pneumatic tires Solid tires Non-marking tires

Wheel size

Static loaded radius [mm]

Rim size

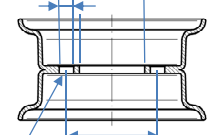
Complete:

Rim centring [mm] \varnothing C

Drilling for rim fixing [mm] \varnothing

Diameter of rim drilling [mm] \varnothing

Quantity of holes

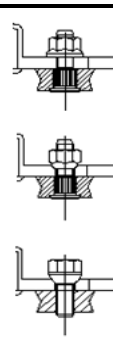


WHEEL FIXING

Stud + flat collar nut

Stud + spherical collar bolt

Spherical collar bolt



Same wheels on rear and front axle: Yes No (*)

(*) if no, specify:

PARKING BRAKE Yes (*) No

(*) If yes, please specify:

→ Braking torque per wheel [Nm]

→ Slope [%]

Comments :

Thank you to send us rim's drawing and every drawings or sketches usefull for study.